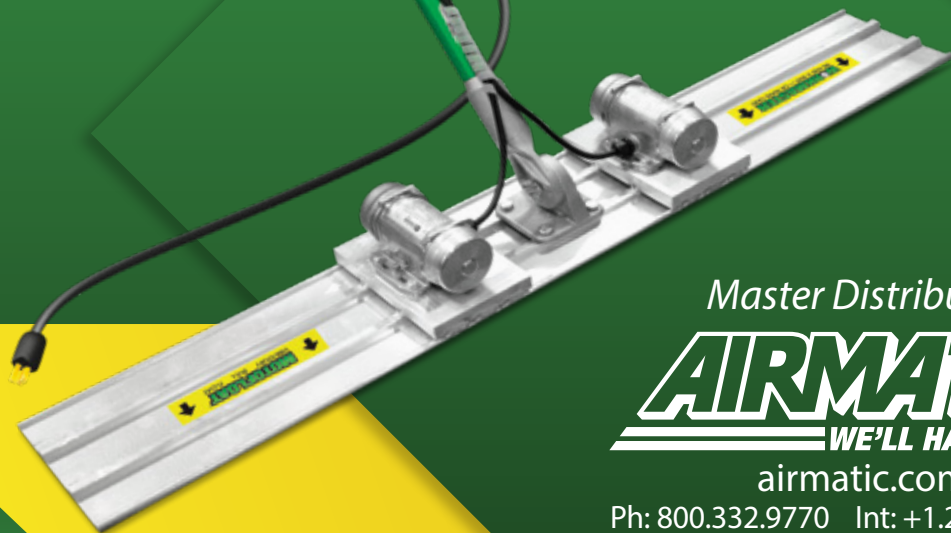


WORKMASTER[®]

WE FIND A WAY — OR MAKE ONE!

MOTOFLOAT[®]

VIBRATORY BULL FLOAT



Master Distributor

AIRMATIC[®]
WE'LL HANDLE IT.

airmatic.com


Ph: 800.332.9770 Int: +1.215.333.5600
Fx: 888.964.3866 Int: +1.215.331.9770

The **MOTOFLOAT™ Vibratory Bull Float** uses dual, adjustable-force, synchronized 115V **Vibratory Motors** which are uniquely positioned on an aluminum blade to generate a linear force which is transmitted directly into the surface of the concrete. Only this unique linear force generation can easily, rapidly, and consistently level ridges, fill voids, embed aggregate, and smooth the concrete while enabling the cream to rise to the surface.

This total blade stimulation properly applies the vibratory amplitude, frequency, and force required to eliminate the potential problems of either insufficient vibration, which prevents entrapped air from being released, or excessive vibration, which can cause a thick mortar to work-up to the surface.

SMOOTHER, FLATTER SURFACES!

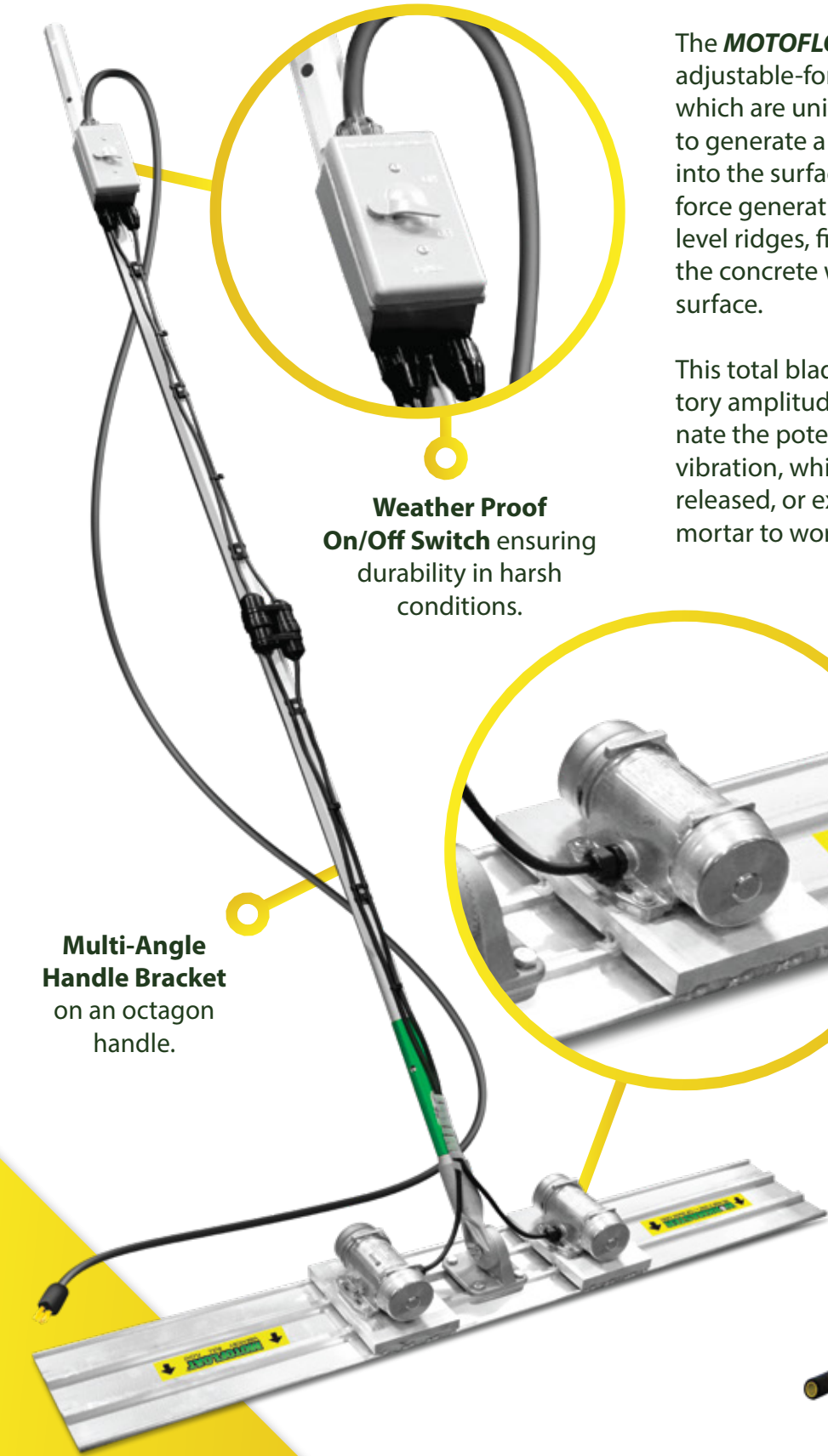
The heavy-duty, **115VAC Vibratory Motors** are synchronized to produce a constant **3600 vibrations-per-minute** and an adjustable centrifugal force of up to 128-lbf for high-flow concrete, or 286-lbf for low-flow concrete along the entire length of the blade.



Weather Proof On/Off Switch ensuring durability in harsh conditions.



Multi-Angle Handle Bracket on an octagon handle.



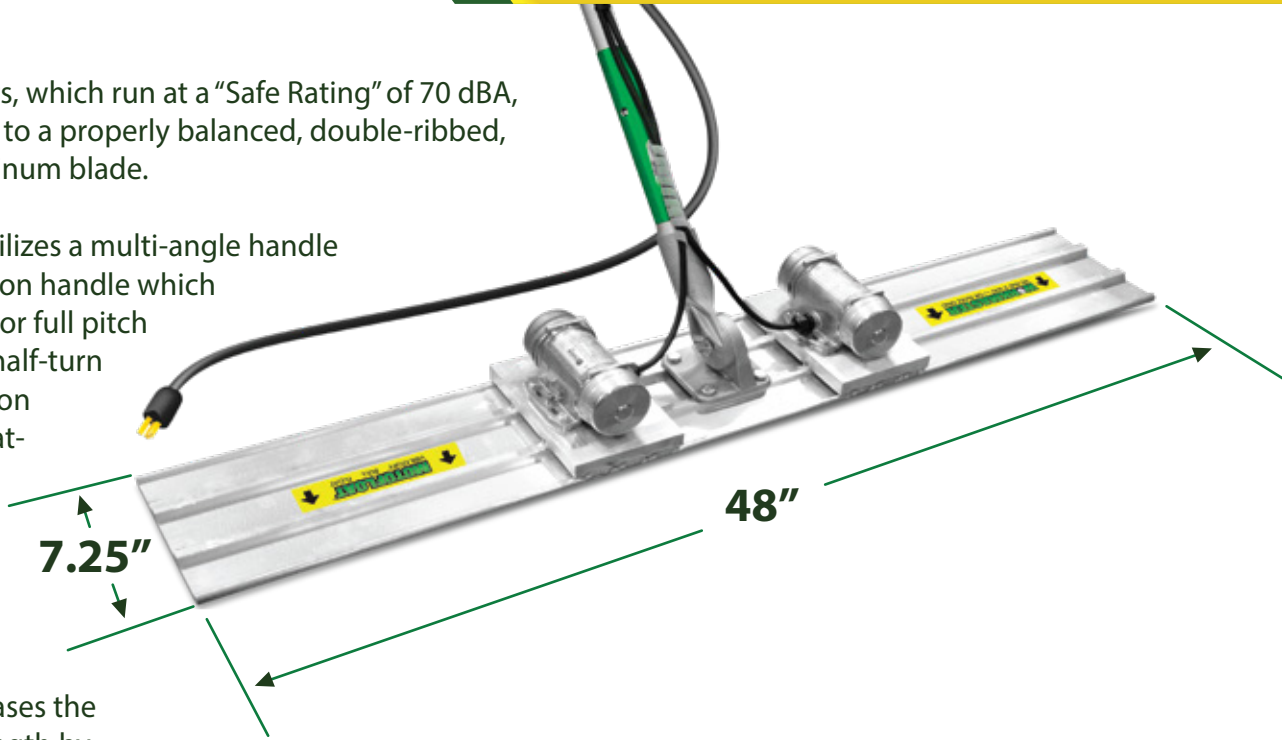
MOTOFLOAT[®]

VIBRATORY BULL FLOAT

WORKMASTER[®]
WE FIND A WAY — OR MAKE ONE!

The Vibratory Motors, which run at a "Safe Rating" of 70 dBA, are rigidly mounted to a properly balanced, double-ribbed, 7-1/4" W x 4' L aluminum blade.

The **MOTOFLOAT** utilizes a multi-angle handle bracket on an octagon handle which provides the Operator full pitch control with only a half-turn of the unique octagon shaped, powder-coated, swaged aluminum handle. The handle's octagon profile not only provides a comfortable edged surface which increases the Operator's grip strength by 20% more than with round handles, but also provides the extra grip that enables the Finisher to keep the blade "pitched" with less effort. Further, the octagon's internal ribs make the handles lighter and reduce handle bowing when additional handle lengths are added for extended reach.



Finally, controlled and directed Vibration enables the Bull Float to glide across the surface which means the effort needed to push/pull the blade is greatly reduced, overlap passes are reduced, and a smoother, flatter surface is achieved because the **MOTOFLOAT™ Vibratory Bull Float** won't tear the surface.

HIGH-FLOW CONCRETE MODEL

VB-12001 MOTOFLOAT™ Vibratory Bull Float – 4' L; Dual Motor 128 lbf @ 3600 VPM; 115 VAC; 6' Articulating Octagon Handle on Multi-Pivot Base; 6' HD Power Cord

LOW-FLOW CONCRETE MODEL

VB-12011 MOTOFLOAT™ Vibratory Bull Float – 4' L; Dual Motor 286 lbf @ 3600 VPM; 115 VAC; 6' Articulating Octagon Handle on Multi-Pivot Base; 6' HD Power Cord

***Ask about our other Vibratory
Concrete Consolidation Solutions!***



WORKMASTER®

WE FIND A WAY — OR MAKE ONE!

WORKMASTER® is a manufacturer of labor savings bulk material handling tools to help safely and efficiently unload, transport, store and process bulk solids from hopper bottom railcars, bulk trailers, bins, silos and chutes. To help Customers gain maximum benefit from our bulk materials handling tools and equipment, we also supply a complete line of operating, mounting, and maintenance products and accessories, such as Timers and Motor Controls, Vibrator Mounts, and Lubricating Oils to help keep your unloading site tools running longer and more efficiently. WORKMASTER products help Customers work more safely and efficiently, increase the lifespan of production-critical equipment, and decrease operating and maintenance costs of tools and equipment used in some of Industry's most dangerous, difficult, and dirty jobs.



Master Distributor

AIRMATIC®
WE'LL HANDLE IT.

airmatic.com

Ph: 800.332.9770 Int: +1.215.333.5600
Fx: 888.964.3866 Int: +1.215.331.9770